

# Classic Villa Posts and Pier Mounts

(Page 1 of 4)



P3008MN

P3009MN

P3010MN

P3011MN

P3012MN

P3013MN

CAT. NO.	DIMENSIONS				HARDWARE	FINISHES
	Width	Base Ht.	Base plate Dia.	Bolt Hole Circle		
P3008	10"	24 1/2"	10"	3 x 4 3/4"	(3) 3/8"-16 lags w/ shields*	Cracked Hide (CH), Clay (CY),
P3009	11" sq.	24"	9"	3 x 7"	(3) 1/2" x 12" galv. bolts	Florentine White (FW), Gold Antiquity (GA),
P3010	10"	8"	9"	3 x 7"	(3) 1/2" x 12" galv. bolts	Hammered Pewter (HP), Midnight (MN),
P3011	10 1/2"	29"	9"	3 x 7"	(3) 1/2" x 12" galv. bolts	Natural Russet (NR), Old Iron (OR),
P3012	12"	33"	12"	3 x 9"	(3) 1/2" x 12" galv. bolts	Rust (R),
P3013	10 1/2"	39"	9"	3 x 9 1/4"	(3) 1/2" x 12" galv. bolts	Sand Storm (SS), Verde (V),
P3016	16"	35"	14"	4 x 12"	(4) 1/2" x 12" galv. bolts	Village Green (VL)
P3026	8" sq.	31"	11 1/2"	4 x 8"	(4) 1/2" x 18" galv. bolts	
P3028	12" sq.	31"	10 1/2"	4 x 7"	(4) 1/2" x 12" galv. bolts	
P3034	12" sq.	29 1/2"	12" sq.	4 x 9" sq.	(4) 1/2" x 12" galv. bolts	
P3035	12"	29 1/2"	12"	4 x 7"	(4) 1/2" x 12" galv. bolts	
P3036	12" hex	31"	12" hex	4 x 7"	(4) 1/2" x 12" galv. bolts	
PM600	6" sq.	3 3/4"	6" sq.	2 x 6" o.c.	(2) 1/4" x 1 3/4" wood screws	Avail. in all finishes
PM601	16 1/2"	14 3/4"	9" rd.	4 x 7 3/4"	(4) 3/8"-16 lags w/ shields	CH, CY, FW, GA, HP, MN, NR, OR, RU, SS, VE, VG
PM607	11"	10 1/2"	9" rd.	4 x 7 3/4"	(4) 3/8"-16 lags w/ shields	
PM609	7 1/4"	3 3/4"	7" rd.	3 x 6 1/2"	(3) 1/4" x 1 3/4" wood screws	Avail. in all finishes
PM611	25 1/4"	25"	16 3/4" rd.	4 x 13 1/2"	(4) 1/2" x 12" galv. bolts	
R1503	17"	2"	--	--	--	CH, CY, FW, GA, HP, MN, NR, OR, RU, SS, VE, VG
R1504	17"	2"	--	--	--	
R6122-3	16 1/2"	2"	--	--	--	
R6122-4	16 1/2"	2"	--	--	--	

# Classic Villa Posts and Pier Mounts

(Page 2 of 4)



P3016MN



P3026MN



P3028MN



P3034MN



P3035MN



P3036MN



PM600MN



PM600PW



PM609MN



PM609PW



PM601MN



PM607MN



PM611MN



R1503MN



R1504MN



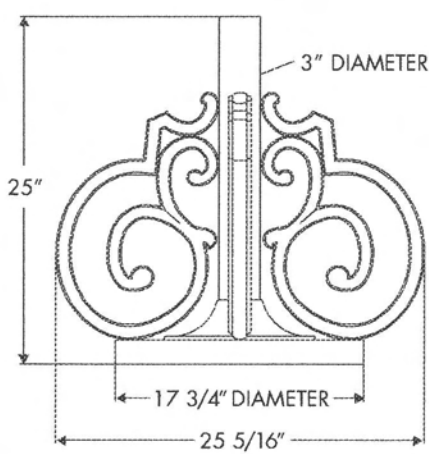
R6122MN3



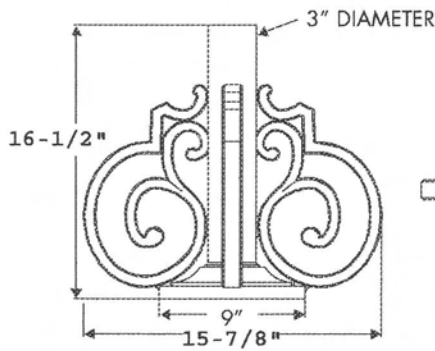
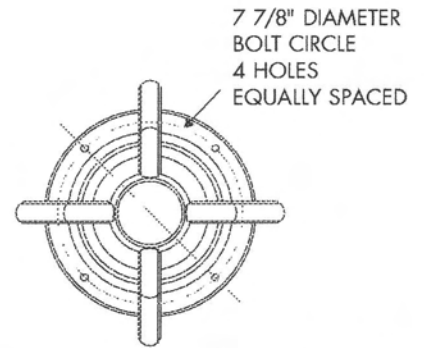
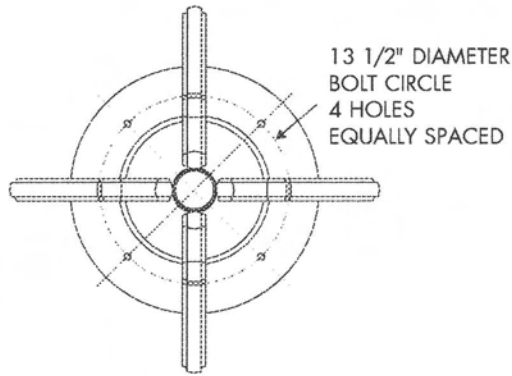
R6122MN4

# Pier Mount Dimensions

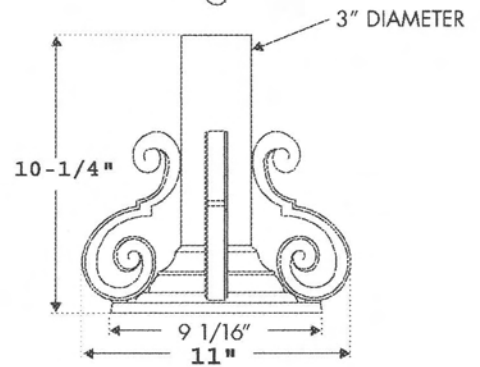
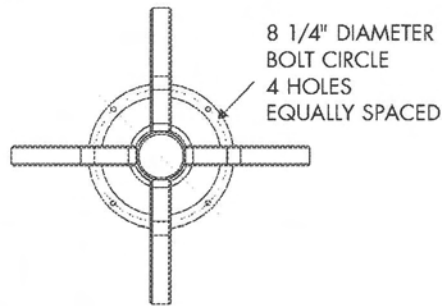
(Page 3 of 4)



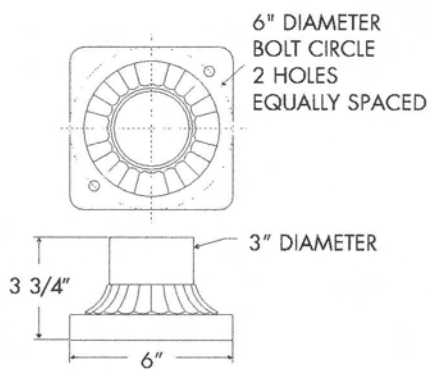
**PM-611**



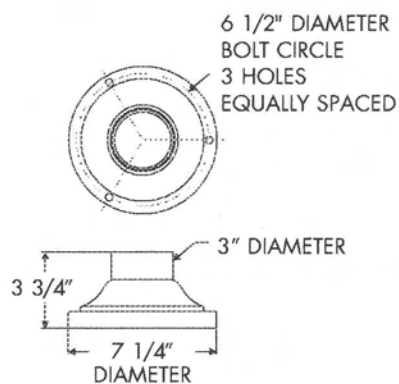
**PM-601**



**PM-607**



**PM-600**



**PM-609**

## Classic Villa Pier Mount Bases Specifications

*Extruded Tenons and Cast Aluminum Construction  
Pier Mounts provided with 3" O.D. Extruded Tenon*

## Classic Villa - Post and Pier Mount Pricing

<b>Cat. No.</b>	<b>Width</b>	<b>Base Ht.</b>	<b>Price</b> All pricing is based upon a 6 foot, 3" diameter shaft.
P3008 post	10"	24-1/2"	\$448
P3009 post	11" sq	24"	\$474
P3010 post	10"	8"	\$457
P3011 post	10-1/2"	29"	\$692
P3012 post	12"	33"	\$649
P3013 post	10-1/2"	39"	\$725
P3016 post	16"	35"	\$943
P3026 post	8" sq	31"	\$633
P3028 post	12"	31"	\$759
P3034 post	12"sq	29-1/2"	\$779
P3035 post	12"	29-1/2"	\$770
P3036 post	12"hex	31"	\$775
Adder per foot			\$33/ft
PM600 pier mount	6"sq	3-3/4"	\$67
PM601 pier mount	15-7/8"	16-1/2"	\$365
PM607 pier mount	11"	10-1/4"	\$188
PM609 pier mount	7-1/4"	3-3/4"	\$68
PM611 pier mount	25-5/16"	25"	\$683
R1503 decorative bracket	17"	2"	\$34
R1504 decorative bracket	17"	2"	\$33
R6122-3 decorative bracket	16-1/2"	2"	\$31
R6122-4 decorative bracket	16-1/2"	2"	\$29